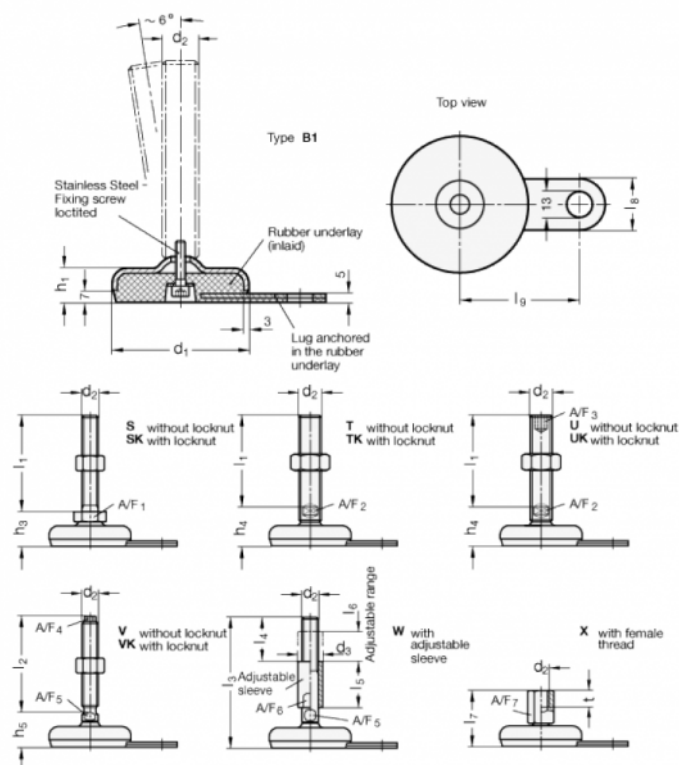


Article number: 203360M1248B1X
 Description: E+G levelling foot
 GN 33-60-M12-48-B1-X, Stainless steel
 Note: X With female thread, External hexagon

Measures



A/F7 = 17
 d_1 = 60
 d_2 = M12
 h_1 = 19
 l_7 = 48
 l_8 = 25
 l_9 = 50
 t = 12